

# U N I C O R N

Alu-Tech Bodyshell



LIMITED  
EDITION

FOR THOSE WHO APPRECIATE THE  
FINER THINGS IN LIFE

[www.baileyunicorn.co.uk](http://www.baileyunicorn.co.uk)



# U N I C O R N

Alu-Tech Bodyshell



Featuring a unique combination of the superior performance provided by an Alu-Tech body shell and a totally new level of interior quality and refinement, Unicorn is a Bailey caravan like no other.

*Unicorn –  
for those who appreciate  
the finer things in life*



*Seville. Valencia. Barcelona.*



UNICORN

BAILEY



# CONSTRUCTION

## The Alu-Tech body shell construction system is the most significant development in caravan production technology for over thirty years.

After having undertaken the most comprehensive product design programme the industry has ever known, the Bailey development team has produced a construction system that is so unique that it has necessitated the commissioning of over 100 bespoke tools to build it and that features a design so advanced that it has 5 new patents pending.

The result is a caravan that is a triumph of engineering and technological advancement that offers real advantages of ownership; advantages that lead us to believe that one day all caravans will be made this way. For more information please visit [www.baileyalu-tech.co.uk](http://www.baileyalu-tech.co.uk).

### Grade III Insulation Thermal Classification

Thicker body shell panels, featuring superior grade polystyrene, plus additional localised insulation in traditional cold spot areas means the thermal properties of the body shell are superior to those of any other product on the market. As a result all Alu-Tech built caravans have achieved the Grade III Classification of Thermal Insulation for EN1645-1, allowing you to holiday all year round as well as making your tourer more economical to run.

### Ten Year Body Shell Integrity Guarantee\*

Engineered to ensure it remains weatherproof and structurally sound the Alu-Tech body shell sets new standards in durability. Starting with an interlocking aluminium assembly system that reduces the number of external joints and fixing points by 90%, every conceivable effort has been made to minimise the number of potential water access points and thus improve the overall integrity of the protective shell. While timber free upper body shell panels, featuring a composite plastic internal skeleton, offers a second



*Bailey Alu-Tech trial of strength. Total load on caravan roof = 1,630kgs.*

line of defence, negating the impact any possible ingress may cause.

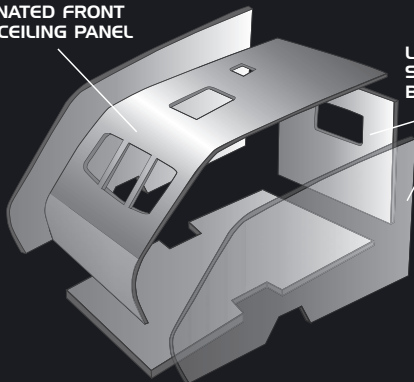
So confident are we of the performance of this new shell that it comes supplied with a market leading ten year integrity guarantee\* – thus protecting your investment and providing you with additional piece of mind.

*\*Terms and conditions apply. 10-Year integrity guarantee comprises of 6 years standard warranty cover and 4 years extended warranty cover supplied free of charge. Please visit [www.baileyunicorn.co.uk](http://www.baileyunicorn.co.uk) for more information on the Unicorn warranty package*

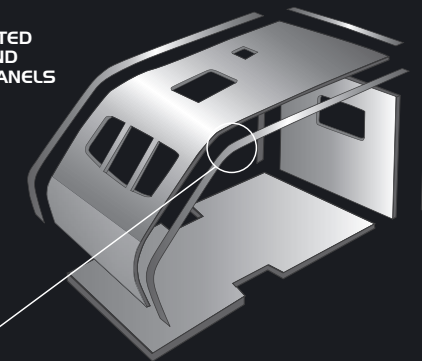


#### FIVE PART FULLY BONDED EXTERIOR PANEL ASSEMBLY SYSTEM

SINGLE PIECE LAMINATED FRONT AND CEILING PANEL

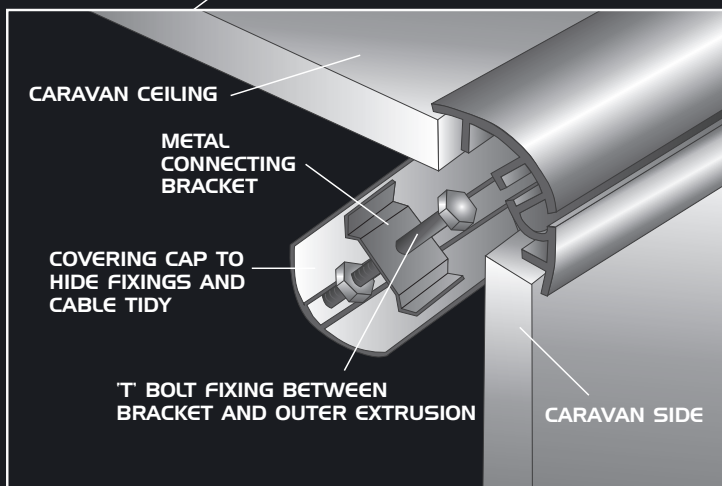


LAMINATED SIDE AND BACK PANELS



#### INTERLOCKING ALUMINIUM EXTRUSION EXTERNAL FRAMEWORK

- PROVIDES STRUCTURAL SUPPORT
- NO EXTERNAL FIXING POINTS



**10  
YEAR**

**Bodyshell**  
Integrity Guarantee



**Grade III Insulation**  
Caravanning all year round

## LIGHT & SPACE

**The first thing you will notice when you step inside this or any Alu-Tech construction caravan is the feeling of extra space.**

This is achieved by increasing the internal headroom that is now, thanks to the flat panel roof construction, a market leading 1.96m (6'5") throughout and combining it with the 2.28m (7'6") body width to create spacious interiors that are beautifully showcased by flush fit framed Polyvision windows, complete with pleated cassette blinds, and Heki II panoramic roof lights. The space is then expertly managed to ensure storage capacity and accessibility is optimised in all areas of the caravan making Unicorn as practical as it is comfortable.



*Unicorn Seville in Mozart upholstery*



## TIMELESS QUALITY

**Inside the interior décor, featuring new 'Walnut' furniture finish, has been expertly crafted to give models that unmistakable touch of class.**

Superior quality cabinetry including Italian design wood frame doors, high gloss kitchen worktops and chrome finish fixtures and fittings enhance the level of refinement, whilst new design elements such as the contrasting kitchen locker system, including a dedicated drinks cupboard, a Belfast style washroom sink and swan-neck mixer taps give this limited edition range the all important wow factor.

Plus to ensure that this special caravan looks as good by night as it is does by day the 12v volt lighting system has been totally upgraded with new fittings and switching to give you greater variety and control.

## RELAX & UNWIND

Models come with a choice of two luxurious soft furnishing options featuring premium quality fabrics and superior cushion construction, both of which are supplied with a full complement of shaped arm rests and scatter cushions. These rest on cleverly designed front bed boxes which incorporate dual purpose slide out units that act as loungers by day and sturdy, easy to operate bed bases by night allowing you to relax and unwind in complete comfort.



*Unicorn Valencia in Elgar upholstery  
(Bed linen available as a cost option)*



## FIVE STAR LIVING

**Designed for people who appreciate the finer things in life Unicorn is equipped with everything you will need for a relaxing and enjoyable holiday.**

Highlights include the Alde central heating system, including a 24 hour timer and heated towel rail, which combines with the market leading thermal properties of the Alu-Tech body shell to make this caravan the ultimate four season tourer.

In the kitchen a new eye level stainless steel 800 watt microwave oven co-ordinates perfectly with existing appliances and twin axle models also benefit from the introduction of the capacious Dometic 190 litre fridge freezer.

While home entertainment systems, consisting solely of high performance branded equipment, include both a freestanding home entertainment system incorporating a 16" flat screen television and DVD player and a Radio/CD/MP3 player with iPod connectivity and stereo speakers.

So if you require the very best in touring caravan design, in a vehicle that sets new standards in both performance and value, then there is simply no better choice than the new Bailey Unicorn



*Unicorn Barcelona in Mozart upholstery  
(Bed linen available as a cost option)*



# PRODUCT SPECIFICATION



Mozart upholstery



Elgar upholstery



Deep pile loose fit drop in carpets



Chest of drawer unit with new design slide out occasional table

## ALU-TECH BODY SHELL

Supplied with a market leading 10-Year integrity guarantee\* | Fully insulated shell to Grade III classification of EN1645-1

## CONSTRUCTION

Structural interlocking aluminium extrusion external framework with no external fixing points and an integral water management system | Five part fully bonded exterior panel assembly system featuring panel thicknesses of: Sides 37mm, Ceiling 37mm & Floor 44mm | Upper body panels manufactured using superior bead application laminating technology for a stronger more consistent bond | Upper body panels built using a timber free construction, incorporating a composite plastic internal skeleton, high density polystyrene insulation and a GRP inner wall lining | Upper body panels incorporating low absorbency buffer zones surrounding window and door apertures | Upper body panels cloaked in a single sheet Impact resistant 3000 Series aluminium skin | Colour coded components for improved aesthetics

## EXTERIOR FEATURES

AL-KO galvanised steel chassis, braking system and running gear | AL-KO chassis mounted spare wheel carrier and spare wheel (steel spare wheel) | AL-KO caravan jack | AL-KO ATC Trailer Control System | AL-KO AKS 3004 Stabiliser | AL-KO shock absorbers | 13 pin DIN standard caravan connecting cable | NEW style 15" Alloy wheels with branded caravan tyres | Heavy duty rear corner steadies | Two part large aperture Hartel door with moulded interior liner, window, blind and waste bin | LED awning light with integral water management system | Flush fit integral Polyvision double glazed windows with integral water management system to front | Flush fit integral Polyvision double glazed windows to side and rear back | NEW Hartel colour matched white gas locker door with gas strut assisted opening mechanism | Flush fit integral exterior service doors | Twin front wet locker storage compartments | Weatherproof LED lit front and rear grab handles for improved night time visibility | Central front gas locker compartment which will accommodate all bottle types and sizes | NEW design graphics scheme with 3-D resin badges

## INTERIOR FEATURES

### Space

Internal headroom of 1.96m (6'5") throughout the length of the caravan | Body width of 2.28m (7'6")

### Furniture & Soft Furnishings

NEW Bailey "Walnut" furniture finish | Gas strut assisted lift up front bed boxes for ease of access to floor level storage area | Dual purpose slide out units to front bed boxes to act as loungers by day and bed bases by night | Large front window shelf (35cm wide) | NEW chest of drawer unit with new design slide out occasional table | Seat and backrest ventilation boards | Free standing table | NEW aircraft style overhead locker system with split level storage, domestic style metal hinges and positive door catches | NEW wood framed Italian design overhead locker doors | NEW curved overhead locker front corner sections with flush fit 12v lights | NEW contrasting kitchen overhead locker system with a dedicated drinks cupboard | Structural locker dividers with greater load bearing capacity | Large capacity front overhead lockers | Streamlined caravan furniture units featuring flush fit doors | Pull out kitchen storage unit and dedicated cutlery tray | Soft shut drawer units | Solid domestic style washroom door with metal handle | NEW additional washroom storage units including a fitted linen basket | NEW high gloss kitchen worktop laminate | Premium quality fixtures and fittings in chrome finish | Fully sprung upholstery featuring premium quality fabrics, high density filling and superior cushion construction | NEW Mozart soft furnishings with co-ordinating curtains, shaped arm rests and scatter cushions or NEW



\*Terms and conditions apply. 10-Year integrity guarantee comprises of 6 years standard warranty cover and 4 years extended warranty cover supplied free of charge. Please visit [www.baileyunicorn.co.uk](http://www.baileyunicorn.co.uk) for more information on the Unicorn warranty package.

Elgar soft furnishings with co-ordinating curtains, shaped arm rests and scatter cushions | NEW shaped front corner back rests for improved comfort | NEW supplementary arm rests (two) and scatter cushions (four) | NEW deep pile loose fit drop in carpets (45 oz pile weight)

## SERVICES

### Electrical System

230v power supply with four interior and one exterior socket | TV station with 230v, 12v and a minimum of two aerial sockets | Status 530 telescopic directional television aerial | 12v LED internal spotlights | NEW flush fit 12v locker corner lights | NEW additional 12v LED underlocker strip-lights | NEW style 12v ceiling lights | NEW additional LED pelmet lights above central kitchen | NEW night time lighting isolation switch (model specific) | Centrally located electrical control panel | Domestic style consumer unit with dedicated access door | Switch mode battery charger with 20 amps output | RCD/MCB protection for mains electric system | 25 metre mains connecting lead

### Water & Gas System

NEW Alde Hydronic Compact 3010 programmable radiator heating system with combined water heating | Propane/Butane 30mb gas regulator mounted in gas locker compartment | Exterior gas BBQ point | Whale Aqua smart II on-board water pump | Wheeled fresh water container with dedicated storage (capacity 23 litres) | Inboard pressurised hot and cold fresh water system with reinforced hosing | Inboard rigid pipe waste plumbing system | Swivel Thetford C-250 cassette toilet with integrated header tank | NEW domestic style swan-neck kitchen mixer tap | Inboard shower unit with ceramic ball mixer tap | Fully lined shower cubicle with bi-fold partition door | NEW 'Belfast' style large capacity washroom sink | NEW domestic style washroom mixer tap | NEW shaving mirror | NEW Alde heated towel rail

### KITCHEN EQUIPMENT

Dometic 115 litre refrigerator with electronic ignition and detachable full width freezer compartment (capacity increases to 122 litres when freezer compartment is removed) in single axle models | NEW Dometic 190 litre fridge freezer with electronic ignition in twin axle models | Spinflo recessed 4-burner hob unit incorporating flush fitting glass hinged lid, conveniently located controls and rear splash back | Spinflo combined grill and domestic style glass fronted oven with electronic ignition and flame failure device | Spinflo large capacity recessed sink with removable draining board | NEW stainless steel 800 watt microwave oven conveniently located at eye level | Chopping board | Washing up bowl

### GENERAL EQUIPMENT

NEW Horrex pleated flyscreen and sunblinds to all caravan windows | Horrex pleated full length flyscreen to exterior door | Full size Heki II tilting sunroof over front saloon | NEW full size Heki roof light located over rear bedroom (model specific) | NEW Mini Heki roof light located over central kitchen | Branded combination home entertainment system featuring a 16" flat screen television and DVD player | Branded Radio/CD/MP3 player with iPod/MP3 player connection point in dedicated locker housing | Branded dual cone stereo speakers for superior sound quality | NEW caravan clock

### SECURITY

NEW TRACKER Monitor Thatcham TQA Stolen Caravan Recovery System (including first 12 months subscription fee) | NEW TRACKER intruder alarm | AL KO Secure portable wheel lock (two for twin axle models) | CRiS identity number etched to windows and caravan chassis | Concealed security data chip within caravan construction



*Freestanding home entertainment system*



*Branded Radio/CD/MP3 player with iPod connectivity (iPod & cable not included)*



*Stainless steel 800 watt microwave oven*

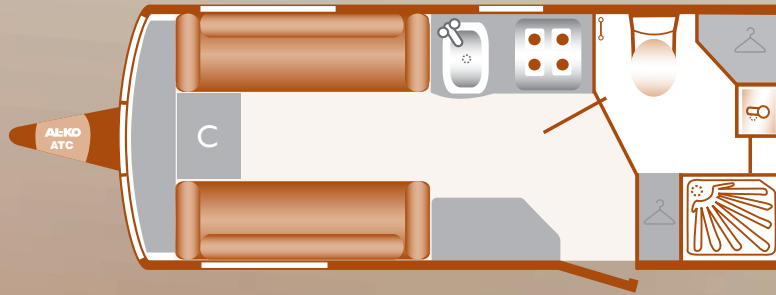


*'Belfast' style large capacity washroom sink*



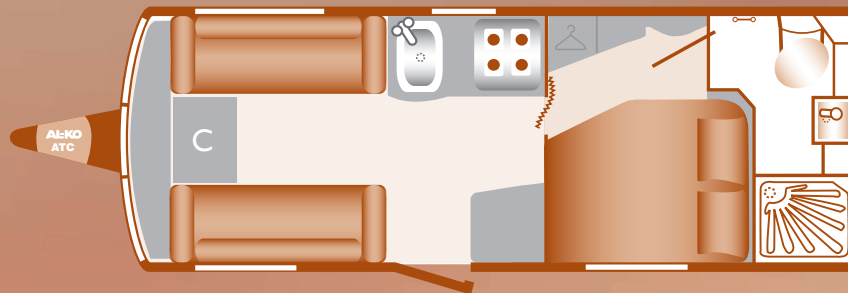
# MODEL RANGE & TECHNICAL SPECIFICATIONS

## Seville



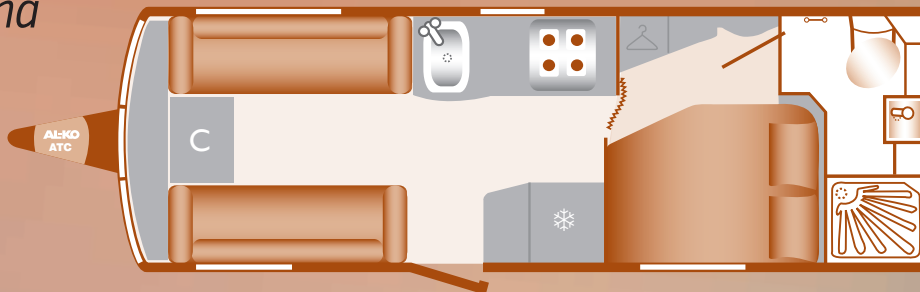
Bed Sizes	Berths	Internal Length	Shipping Length	Overall Width	Overall Height	Internal H'room	Awning Size (gd to gd)	Tyre Sizes	MTPLM	MRO	Optional Equipment Payload Allowance	Total User Payload
Front Double 6'8" x 4'8" Front Single 2@ 6'3" x 2'2"	2	4.902m	6.475m	2.28m	2.63m	1.96m	968cm	195/ 70 R15 LI104S	1433kg	1304kg	3kg	129kg
		16'1"	21'3"	7'6"	8'8"	6'5"						

## Valencia



Bed Sizes	Berths	Internal Length	Shipping Length	Overall Width	Overall Height	Internal H'room	Awning Size (gd to gd)	Tyre Sizes	MTPLM	MRO	Optional Equipment Payload Allowance	Total User Payload
Front Double 6'8" x 3'8" Front Single 1@ 5'3" x 2'2" 1@ 5'7" x 2'2" Rear Double 6'4" x 4'6"	4	5.678m	7.251m	2.28m	2.63m	1.96m	1046cm	195/ 70 R15 LI104S	1565kg	1409kg	3kg	156kg
		18'8"	23'9"	7'6"	8'8"	6'5"						

## Barcelona (Twin-axle)



Bed Sizes	Berths	Internal Length	Shipping Length	Overall Width	Overall Height	Internal H'room	Awning Size (gd to gd)	Tyre Sizes	MTPLM	MRO	Optional Equipment Payload Allowance	Total User Payload
Front Double 6'8" x 4'4" Front Single 1@ 5'10" x 2'2" 1@ 6'3" x 2'2" Rear Double 6'4" x 4'6"	4	6.292m	7.865m	2.28m	2.63m	1.96m	1113cm	185/ 60 R15 88H	1756kg	1593kg	3kg	163kg
		20'8"	25'10"	7'6"	8'8"	6'5"						

The method of calculating the MRO and payload figures has been changed for the 2011 model year. Allowances for essential equipment previously accounted for in the user payload are now either within the MRO (e.g. gas cylinders) or the personal effects payload allowance (e.g. leisure battery).

# TRAVEL & ARRIVE IN STYLE

The new Bailey Unicorn is so much more than just a high performance body shell – it looks good too. The aero-dynamic profile, colour coded aluminium extrusions, and the clean lines afforded by single piece side walls, flush fit windows and doors combine to create a distinctive exterior look that announces you travel and arrive in style. Plus to ensure that you will stand out from the crowd unique design features such as a colour matched white gas locker door, bespoke 15" alloy wheels and a stylish graphics scheme, featuring 3-D resin name badges, are all included as part of the limited edition Unicorn package.

Built with practicality in mind models come supplied with the latest road safety equipment, including the AL-KO ATC Trailer Control System, an AL-KO AKS Stabiliser and AL-KO shock absorbers to facilitate trouble-free towing. Plus to ensure your investment is well protected Unicorn comes complete with the Thatcham TQA Approved TRACKER Monitor Stolen Caravan Recovery System, a TRACKER intruder alarm and an AL-KO Secure portable wheel lock (two with twin axle models)



*Flush fit Polyvision windows*



*3-D resin name badges*



*AL-KO Secure portable wheel lock*



*AL-KO ATC Trailer Control System & AL-KO AKS Stabiliser*



*AL-KO Shock absorbers*

# UNICORN -

*For those who appreciate the finer things in life*



*Unicorn Seville*



*Unicorn Barcelona*

[www.bailey-caravans.co.uk](http://www.bailey-caravans.co.uk)

South Liberty Lane, Bristol BS3 2SS, England

This brochure does not constitute an offer by Bailey Caravans Ltd (Bailey). Bailey reserves the right to alter specifications and prices as market and supply conditions demand. Your Bailey retailer will confirm all specification details prior to you making your purchasing decision. E. & O. E. Bailey retailers sell our products of their own choice and not as agents of Bailey. Accordingly they have no authority to bind Bailey or to make any representation or undertaking whatsoever on behalf of Bailey. All household items illustrated in this brochure are used to enhance photography and are for display purposes only. They are not supplied with your touring caravan. Photographic colour reproduction is subject to the limitations of the production process.

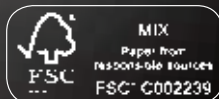
Design & Print: Kingsdown Photography: Alan Bond Issued: August 2010



NATIONAL CARAVAN  
COUNCIL LIMITED



80% Recycled paper



All Bailey models have been certified by the National Caravan Council for compliance with stringent European Standards, British Legislation and industry set Codes of Practice specifically relating to health and safety issues. NCC Approval gives you peace of mind that your caravan is safe and legal